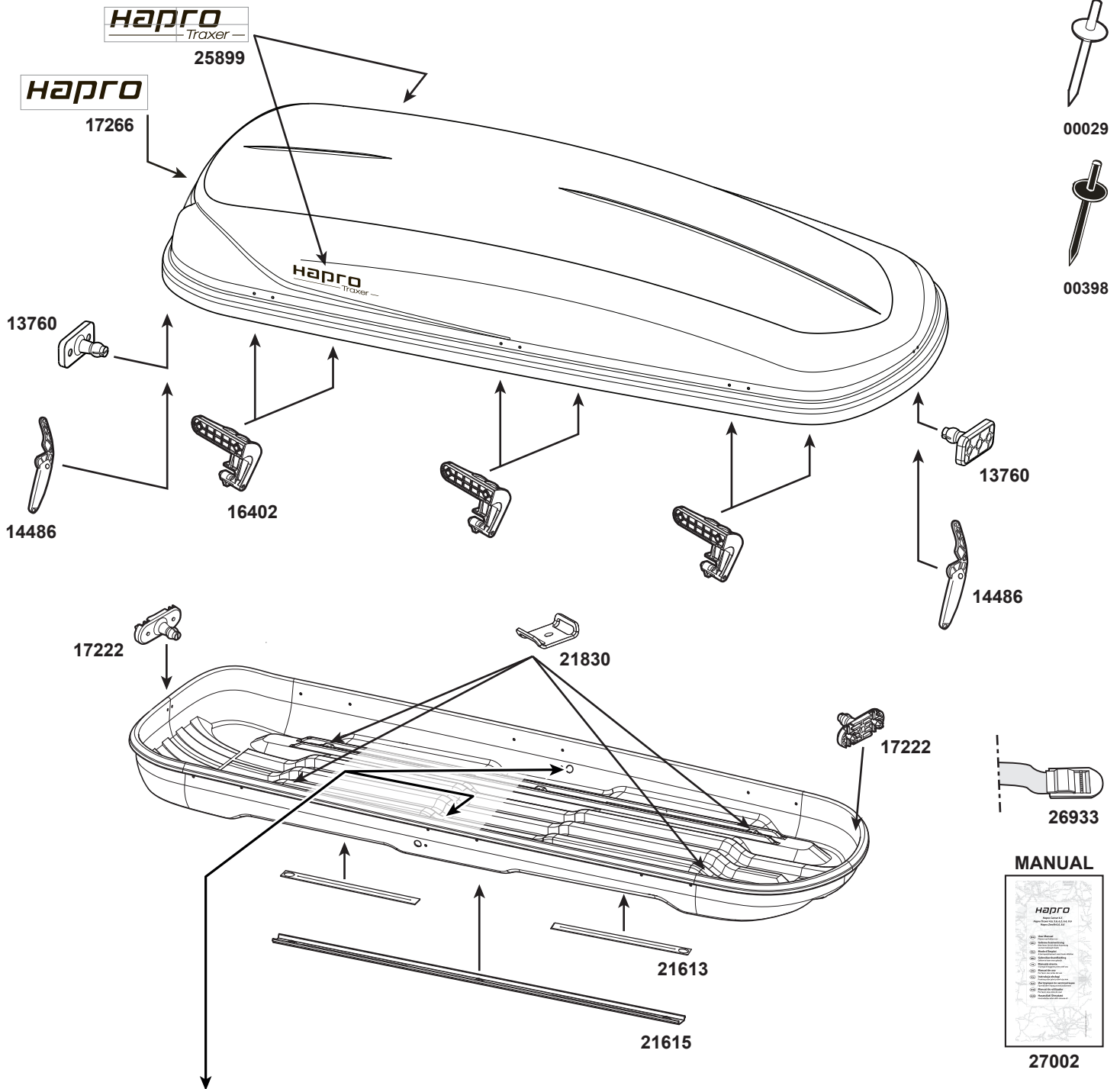
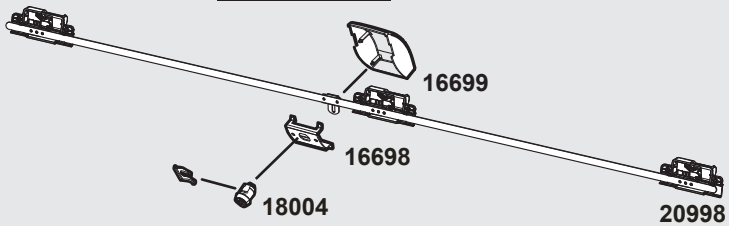


# 25904 - Traxer 8.6 Grey/Anthra

# Hapro

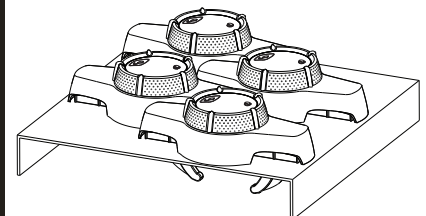


## SYSTEM A



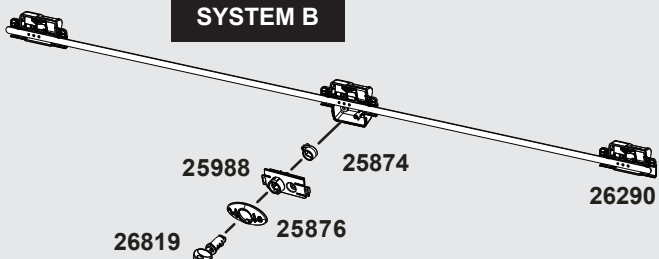
No.:

2	5		
---	---	--	--



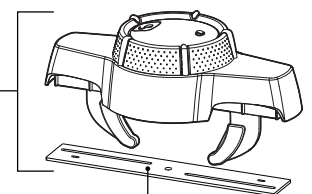
ART.NO: 27000

## SYSTEM B



No.:

2			
---	--	--	--



ART.NO: 21612

ART.NO: 27001