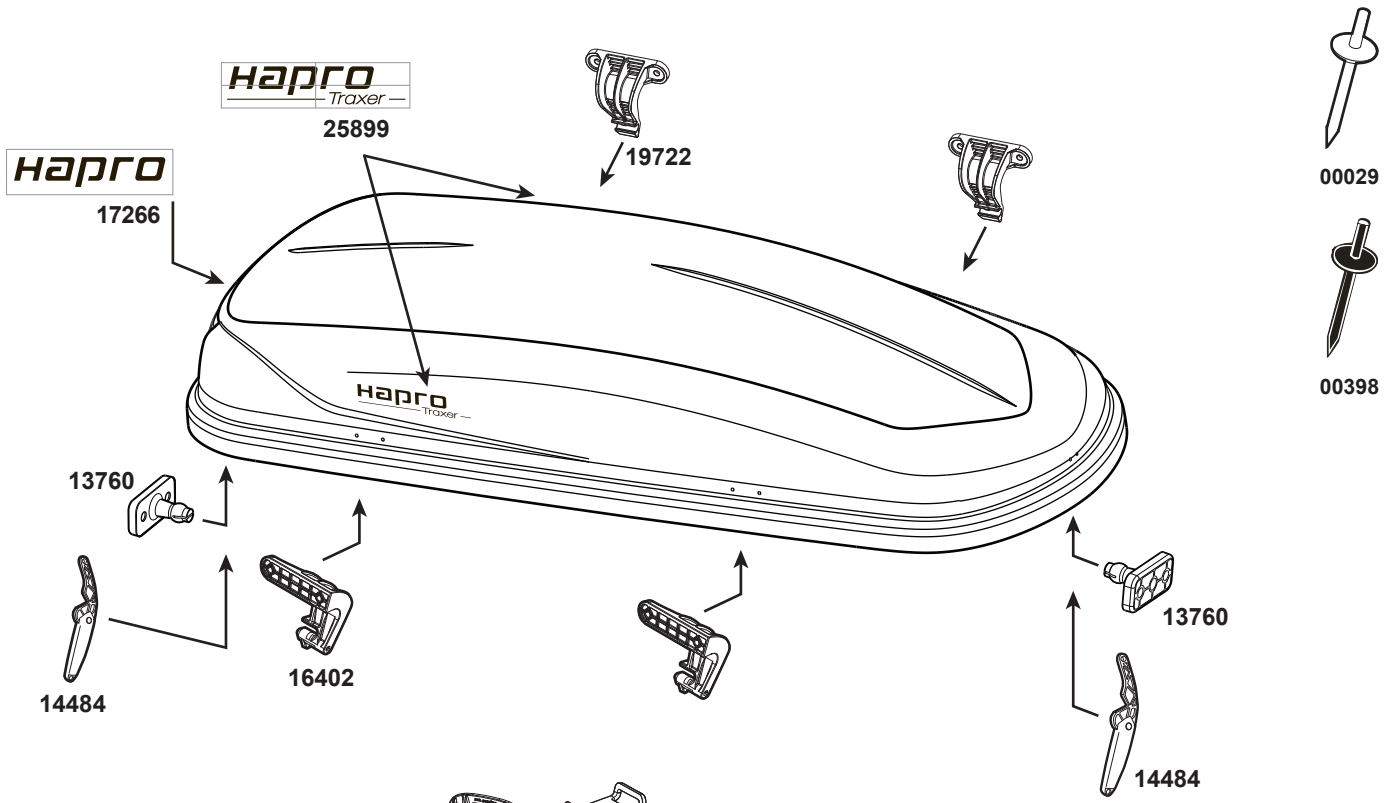


# 25901 - Traxer 5.6 Grey/Anthra

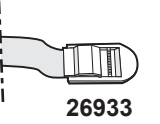
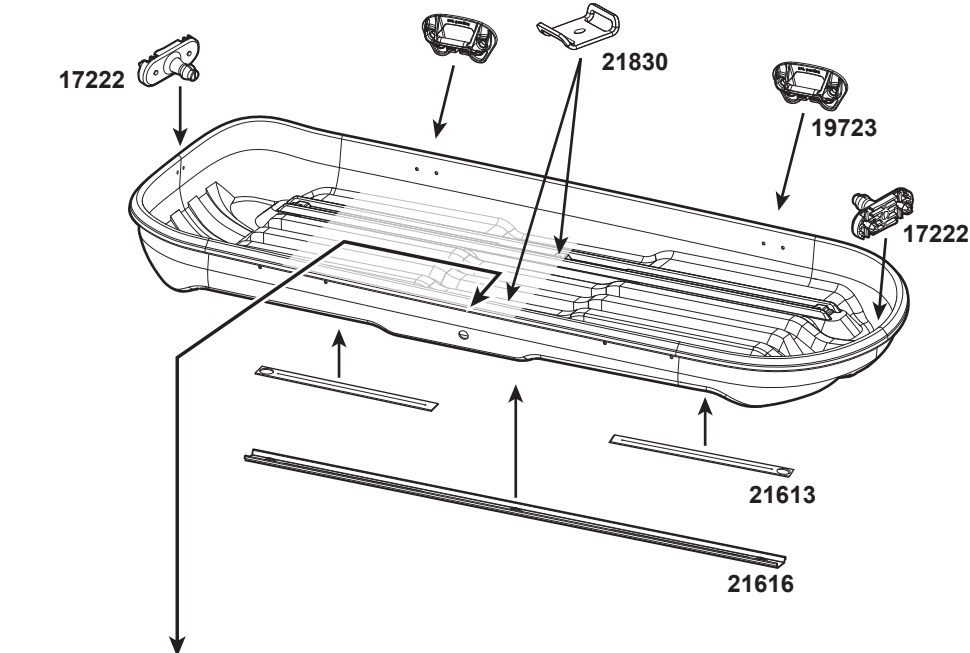
# Hapro



00029

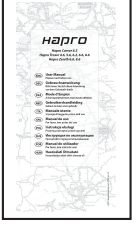


00398



26933

MANUAL



27002

**SYSTEM A**

16699, 16698, 18004, 20999

No.:  

2	5		
---	---	--	--

ART.NO: 27000

**SYSTEM B**

25874, 25988, 26288, 26819, 25876

No.:  

2			
---	--	--	--

ART.NO: 27001